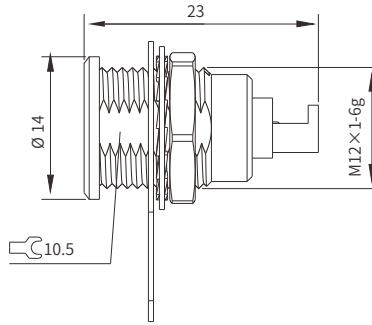


FSA Fixed Straight Socket, Coaxial Triaxial

- Connector series: 1S
- Contact: Female
- Locking type: Push-Pull Self-locking
- Orientation type: Straight
- Part No.: FSA.1S.650.CTL
- Mated with: PSA series



General Information

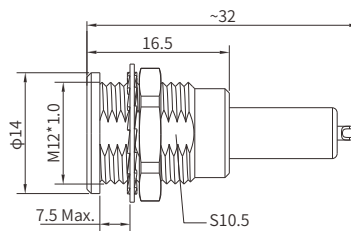
Ambient temperature:	-55°C~+250°C
Mating endurance:	>5000 cycles
Insulator:	PTFE
Housing:	Brass with Cr plated
Connector contacts:	Brass with gold plated

Insulation resistance:	≥100 MΩ
Impedance:	50Ω
IP rating:	IP68
VSWR:	1.01+0.17f(GHz)

Note: Panel cut-out (page 164)

FSB (High Voltage), Fixed Socket, Nut Fixing

- Connector series: FSB
- Contact: Female
- Locking type: Self-locking
- Orientation type: Straight
- Part No.: FSB.1S.405.CTL
- Mated with: PSB series



General Information

Ambient temperature:	-55°C ~ + 250°C
Endurance:	>5000 cycles
Insulator:	PTFE
Coupling nut/screw:	Brass with nickel plated
Connector contacts:	Brass with gold plated

Housing:	Brass with Cr plated
IP rating:	IP50
Shielding efficiency:	at 10MHz>75dB/at 1GHz>40dB
Salt spray corrosion test:	>144h

	Insert configuration					
	Reference	Number of contacts	Contact φA (mm)	Supply voltage(KV dc)	AWG Max.	Rated current (A)
	405	1	1.35	7	20	8

Note: Panel cut-out (page 164)